

Component name	Base material	Finish
Case	LCP, black, UL94 V-0	
Terminal, wire lug (gold)	Brass	Gold over nickel
Terminal, PC, RA & VRA (gold)	Brass	Gold over nickel in contact area, Tin over nickel in solder area
Terminal, PC & wire lug (silver)	Silver clad copper	Silver over nickel
Contact (gold)	Copper alloy or brass	Gold over nickel
Contact (silver)	Silver clad copper or copper	Silver over nickel
Frame	Steel	Tin over copper
Spring	Music wire	
Plunger Button	Nylon 6/6, black, red or blue. UL94 HB (extended) or UL94V-2 (flush)	
Support bracket (RA*ES versions only)	Brass	Tin over copper
Support bracket, VRA	Steel	Tin over copper
Bushing	Brass	Nickel over copper
ES Housing (ES versions)	Nylon 6/6, natural, UL94 V-2	
ES boot (ES versions)	Vinyl plastisol, black	

Specifications	
Rating	Gold: .4VA max. @ 20VDC or peak AC resistive Silver: 1 A @ 125VAC or 28 VDC resistive
Initial termination resistance	20 milliohms max.
Insulation resistance	1,000 Megohms min @ 500 VDC
Dielectric strength	1,000 volts RMS at sea level
Timing	Break before make
Plunger travel	.030
Actuation force	50 to 400 grams
Life expectancy	.4 VA, 1 pole: 100,000 .4 VA, 2 poles: 80,000 1 A, 1 pole: 60,000 1 A, 2 poles: 50,000
Operating temperature	-30° C to +65° C
Storage temperature	-30° C to +65° C
Terminal seal	Single pole: epoxy Double pole: epoxy optional

NOTES:

- TERMINAL NUMBERS ARE FOR REFERENCE ONLY AND DO NOT APPEAR ON SWITCHES.
- ALL MATERIALS AND FINISHES COMPLY WITH EU DIRECTIVE 2002/95/EC OF 27JAN2003 (ROHS).
- DISPOSABLE BOOT SUPPLIED WITH ES VERSIONS. BOOT TO BE PLACED OVER BUSHING BEFORE SOLDER WASHING.
- CENTER TERMINAL PRESENT ON DOUBLE THROW SWITCHES ONLY.
- CENTER HOLE REQUIRED ON DOUBLE THROW SWITCHES ONLY.
- OBSOLETE.

Model	Actuator	Poles	Rating	Function	Plating	Terminations	Process Seal	Button color	04
TPB	Blank = extended	1	1 = Gold .4VA	C = SPST momentary	G = Gold	Blank = Wire lug	ES = process sealed 2	0 = Black	
	F = flush	2 (1+1)	3 = Silver 1 Amp 1	F = SPDT momentary	Blank = Silver 1	PC = printed circuit		2 = Red	
		2		M = DPST momentary		RA = right angle 2		6 = Blue	
				R = DPDT momentary		VRA = vertical right angle 3			

- NOTES:
- Silver only available in wire lug and pc terminations
 - RAES available with B and C bushing only
 - VRA only available in single pole

P/N	Alco P/N	Flush Actuator?	Poles	Throws	Plating	Terminals	Process sealed?	Button Color	Function				Dim A
									ALCO	ALCO	ALCO	ALCO	
1825097-1	TPB11CGPC004	no	1	1	Gold	PC	No	Black	Off	Mom	Off	1-3	.133
1825097-2	TPB11CGPC204	no	1	1	Gold	PC	No	Red	Off	Mom	Off	1-3	.133
1825097-3	TPB11CGPCES004	no	1	1	Gold	PC	yes	Black	Off	Mom	Off	1-3	.133
1825097-6	TPB11CGRA004	no	1	1	Gold	Right Angle	No	Black	Off	Mom	Off	1-3	.133
1825097-4	TPB11CGRA204	no	1	1	Gold	Right Angle	No	Red	Off	Mom	Off	1-3	.133
1825097-5	TPB11CGRAES004	no	1	1	Gold	Right Angle	yes	Black	Off	Mom	Off	1-3	.133
1825097-7	TPB11CGRAES204	no	1	1	Gold	Right Angle	yes	Red	Off	Mom	Off	1-3	.133
1825097-8	TPB11CGVRA004	no	1	1	Gold	VRA	No	Black	Off	Mom	Off	1-3	.117
1825097-9	TPB11FGPC004	no	1	2	Gold	PC	No	Black	On	Mom	1-2	2-3	.133
1-1825097-0	TPB11FGPCES204	no	1	2	Gold	PC	yes	Red	On	Mom	1-2	2-3	.133
1-1825097-1	TPB11FGRA004	no	1	2	Gold	Right Angle	No	Black	On	Mom	1-2	2-3	.133
1-1825097-2	TPB11FGRA204	no	1	2	Gold	Right Angle	No	Red	On	Mom	1-2	2-3	.133
1-1825097-3	TPB11FGRA604	no	1	2	Gold	Right Angle	No	Blue	On	Mom	1-2	2-3	.133
1-1825097-4	TPB11FGRAES004	no	1	2	Gold	Right Angle	yes	Black	On	Mom	1-2	2-3	.133
1-1825097-5	TPB11FGRAES604	no	1	2	Gold	Right Angle	yes	Blue	On	Mom	1-2	2-3	.133
1-1825097-6	TPB11FGVRA004	no	1	2	Gold	VRA	No	Black	On	Mom	1-2	2-3	.117
1-1825097-7	TPB21MGPC004	no	2	1	Gold	PC	No	Black	Off	Mom	Off	1-3, 4-6	.133
1-1825097-8	TPB21MGPC204	no	2	1	Gold	PC	No	Red	Off	Mom	Off	1-3, 4-6	.133
2-1825097-8	TPB21MGRA004	no	2	1	Gold	Right Angle	No	Black	Off	Mom	Off	1-3, 4-6	.133
1-1825097-9	TPB21RGRA004	no	2	2	Gold	Right Angle	No	Black	On	Mom	1-2, 4-5	2-3, 5-6	.133
2-1825097-0	TPBF11CGPCES004	yes	1	1	Gold	PC	yes	Black	Off	Mom	Off	1-3	.000
2-1825097-1	TPBF11CGRA004	yes	1	1	Gold	Right Angle	No	Black	Off	Mom	Off	1-3	.000
2-1825097-2	TPBF11CGRAES004	yes	1	1	Gold	Right Angle	yes	Black	Off	Mom	Off	1-3	.000
2-1825097-3	TPBF11FGPCES004	yes	1	2	Gold	PC	yes	Black	On	Mom	1-2	2-3	.000
2-1825097-4	TPBF11FGRA004	yes	1	2	Gold	Right Angle	No	Black	On	Mom	1-2	2-3	.000
2-1825097-5	TPBF11FGRA204	yes	1	2	Gold	Right Angle	No	Red	On	Mom	1-2	2-3	.000
2-1825097-6	TPBF11FGRAES004	yes	1	2	Gold	Right Angle	yes	Black	On	Mom	1-2	2-3	.000

THIS DRAWING IS A CONTROLLED DOCUMENT.

DIMENSIONS: INCHES	TOLERANCES UNLESS OTHERWISE SPECIFIED:	0. PLC ± -	1. PLC ± -	2. PLC ± -	3. PLC ± .010	4. PLC ± -	ANGLES ± -
--------------------	--	------------	------------	------------	---------------	------------	------------

MATERIAL: - FINISH: -

APPROVED: M. ZITTO 21JUL05

DESIGNED: M. BINNER 20JUL05

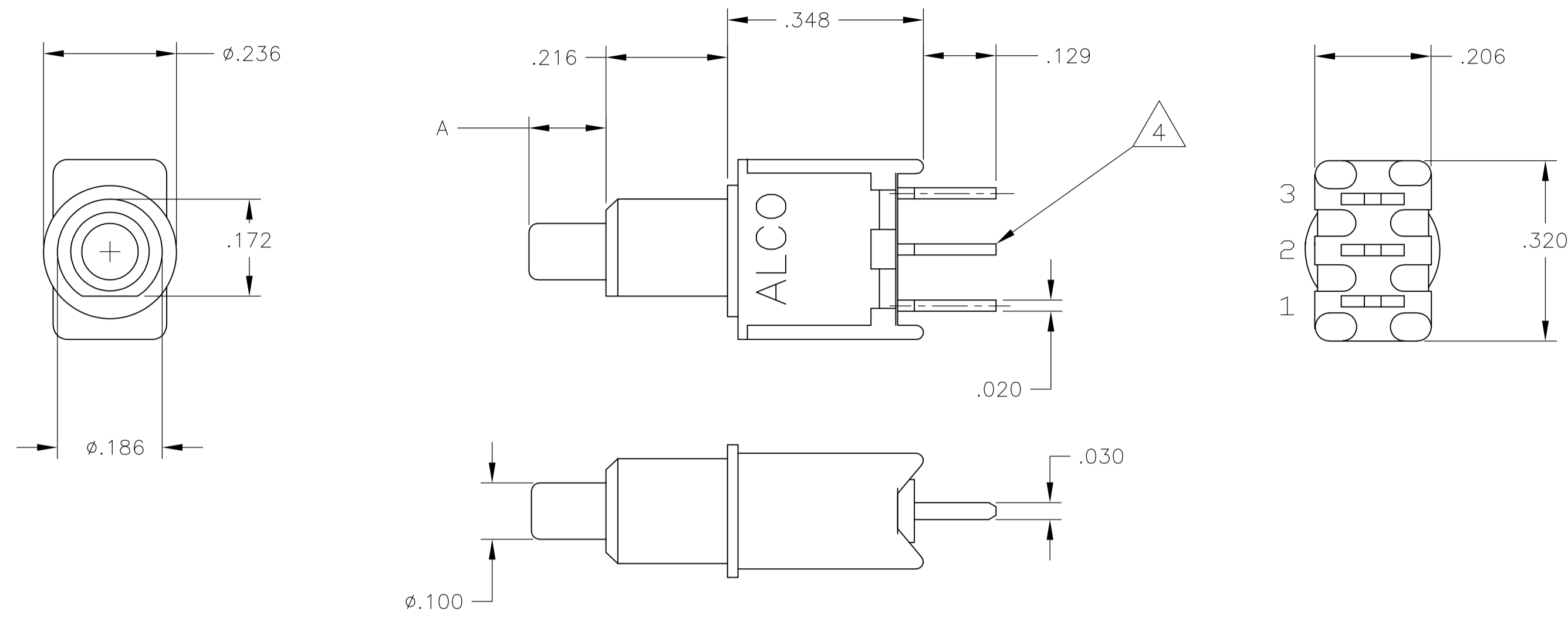
NAME: PUSHBUTTON SWITCH, TPB SERIES

SIZE: A1 CAGE CODE: 00779 DRAWING NO: 1825097

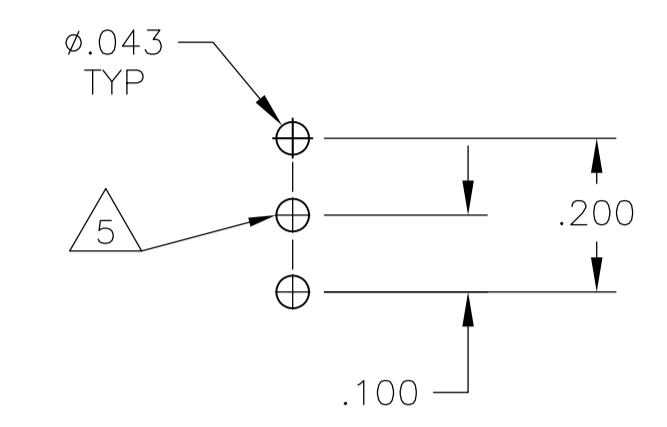
WEIGHT: -

CUSTOMER DRAWING SCALE: 4:1 SHEET 1 OF 6 REV: A2

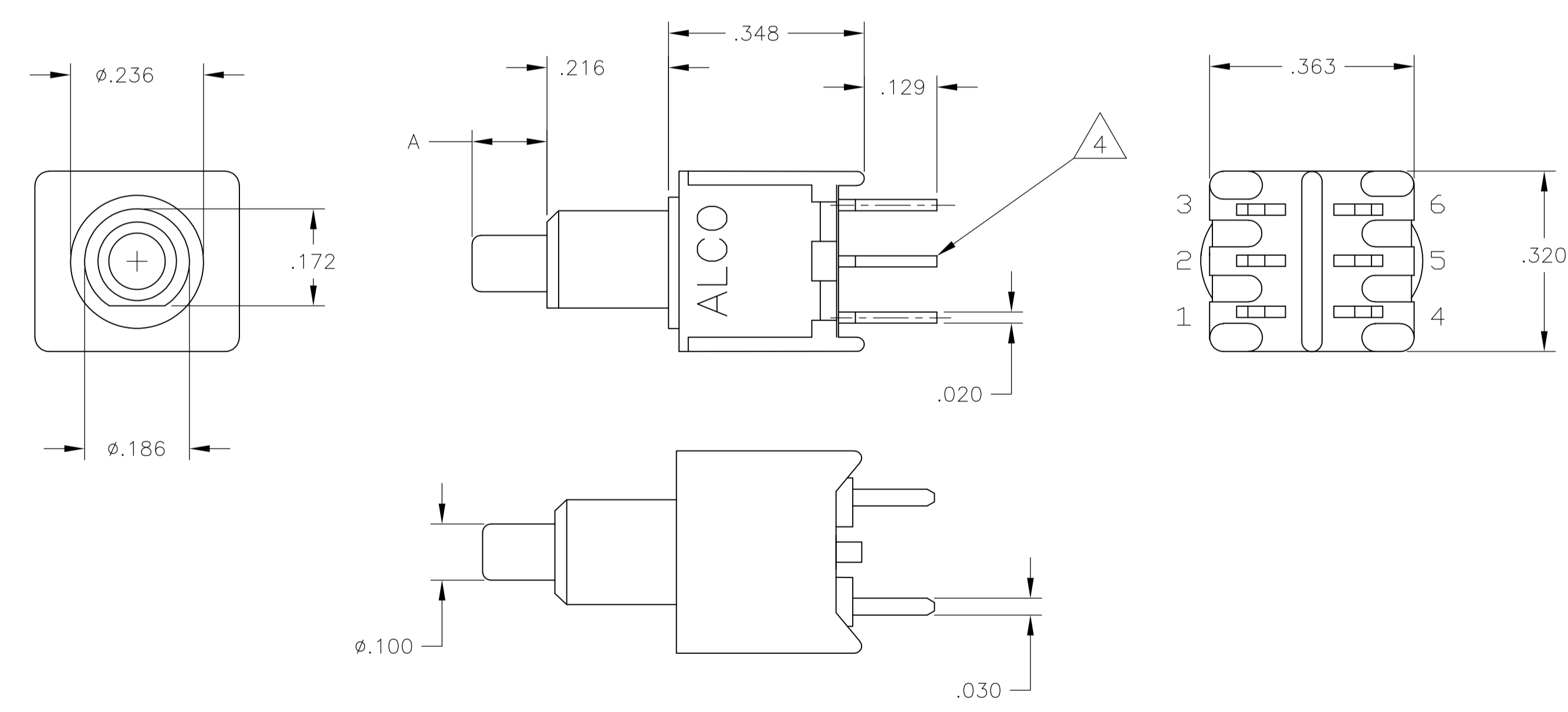
LOC		DIST		REVISIONS			
AD	---	P	LTR	DESCRIPTION	DATE	DN	APVD
				SEE SHEET 1			



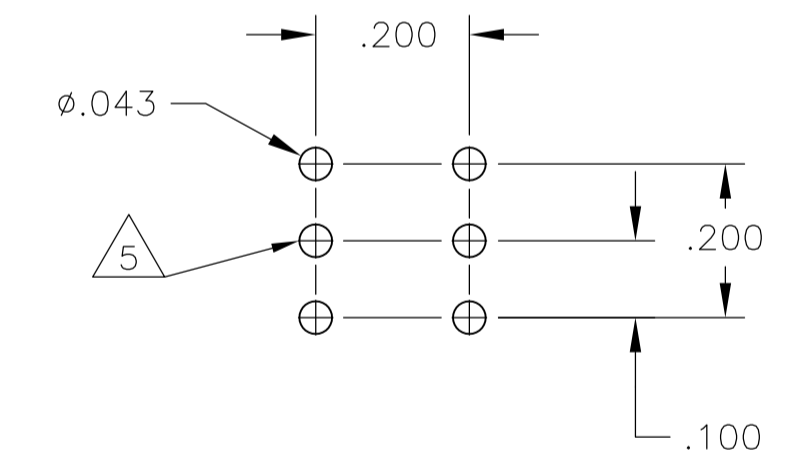
TPB11CGPC & TPB11F6PC



PCB HOLE LAYOUT



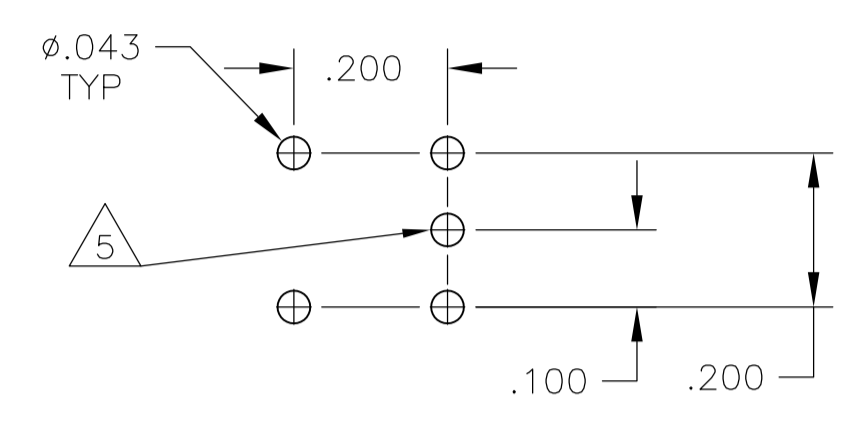
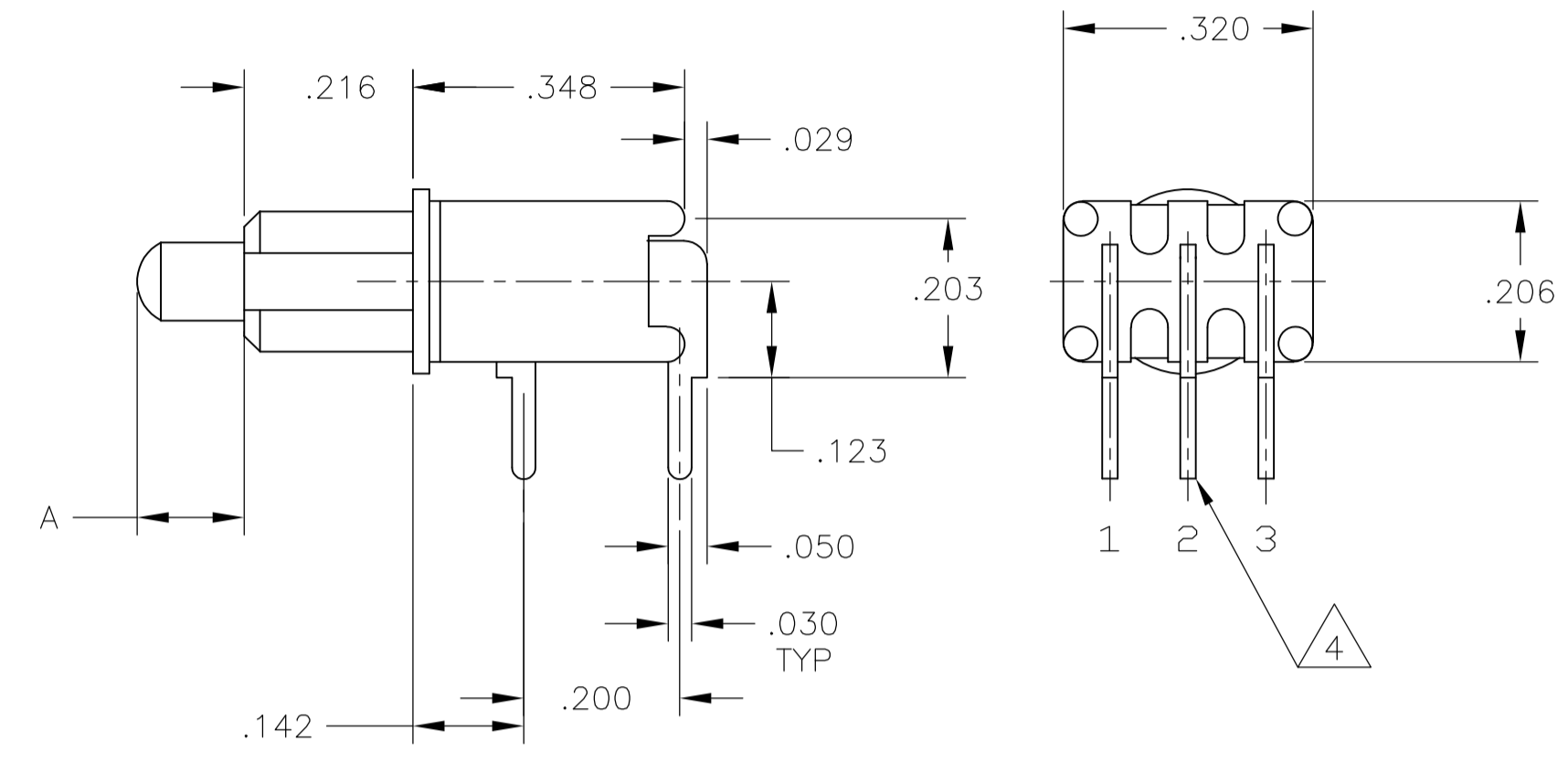
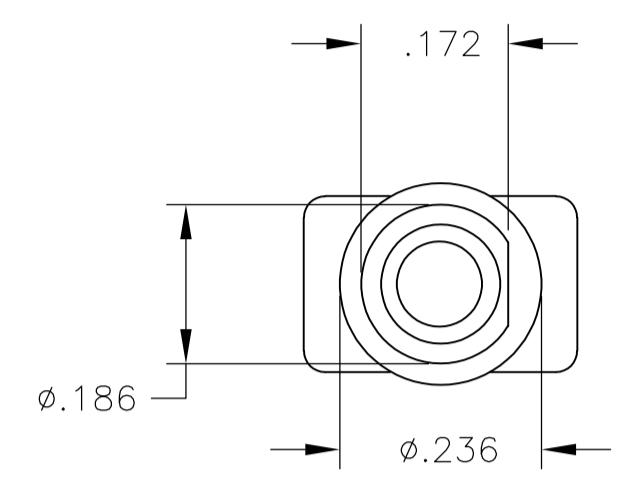
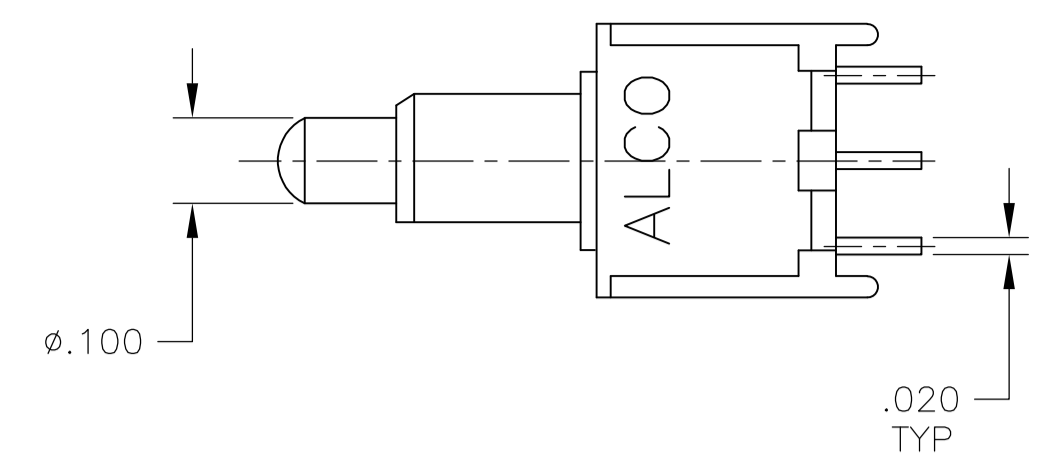
TPB21MGPC & TPB21RGPC



PCB HOLE LAYOUT

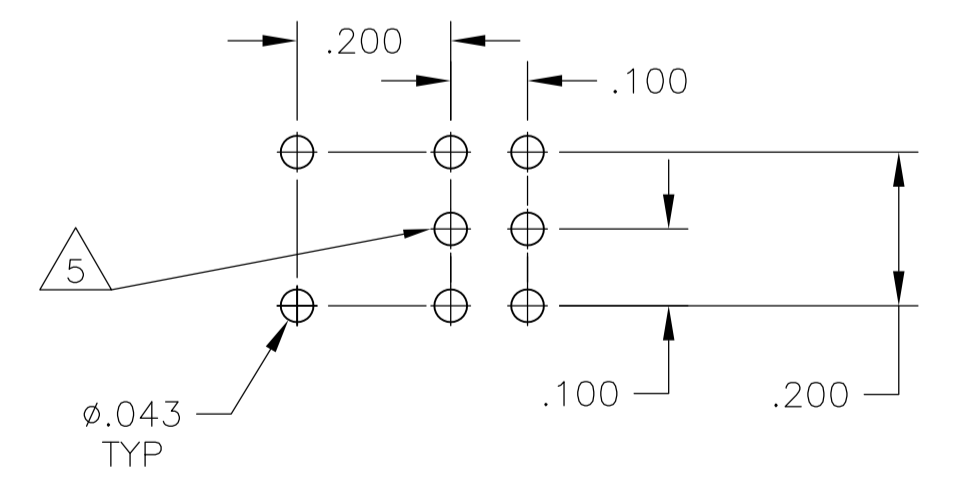
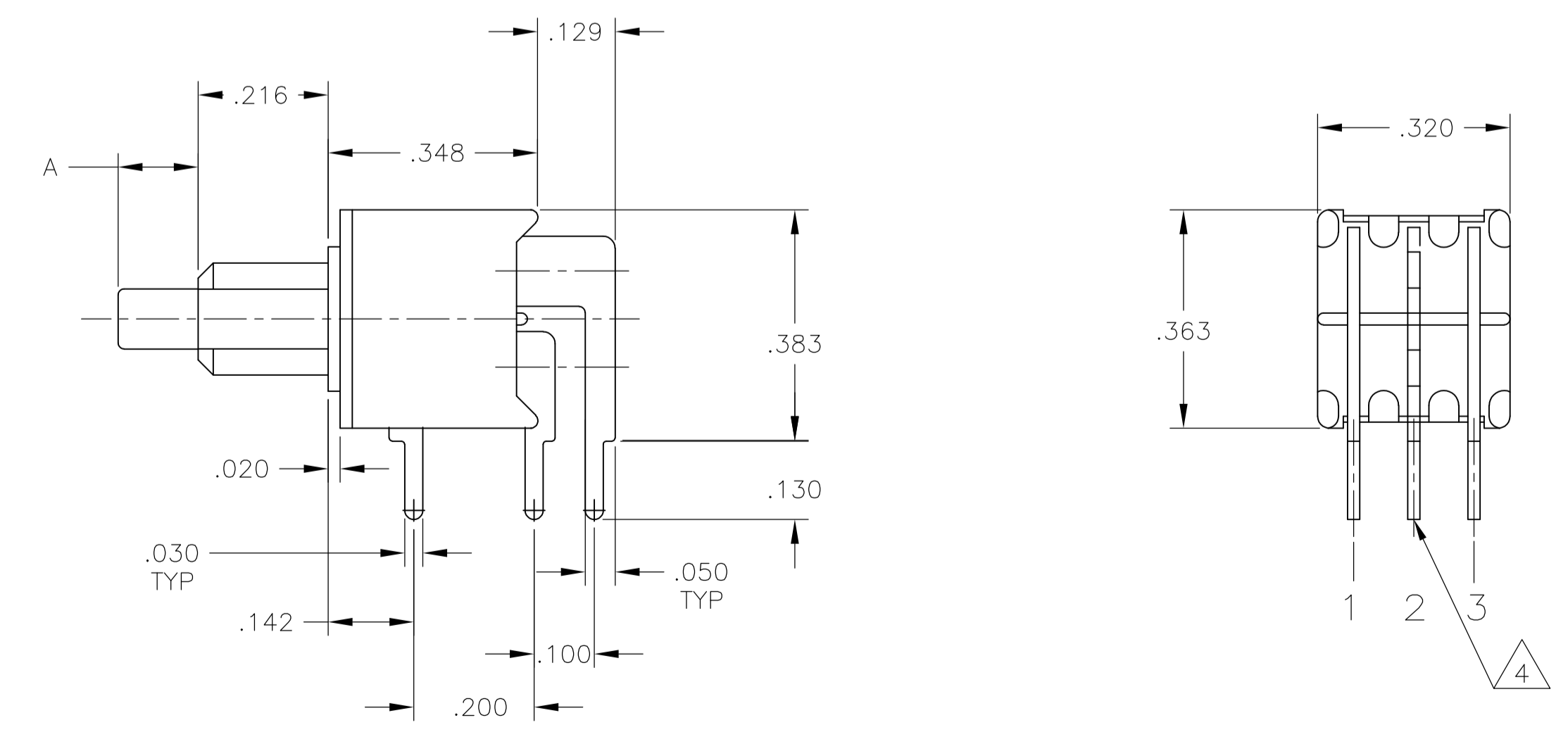
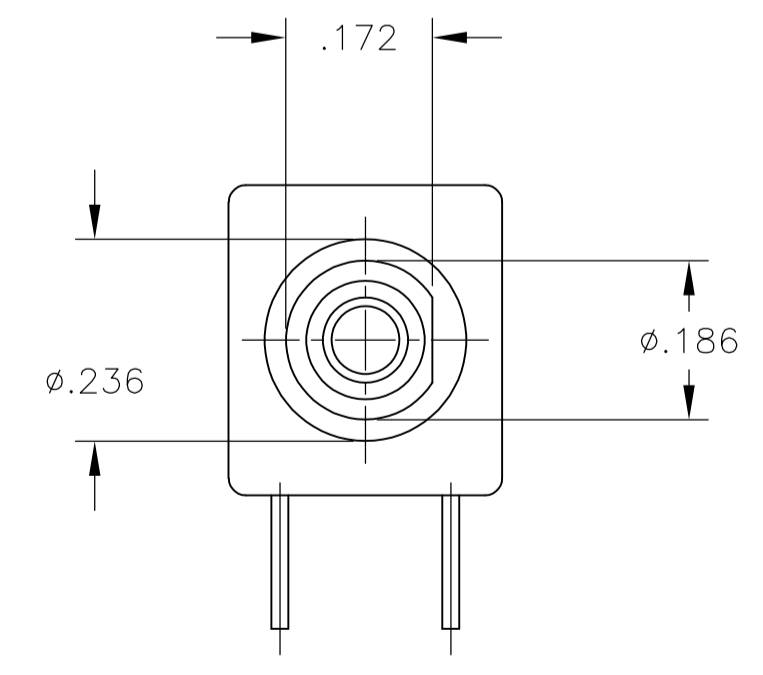
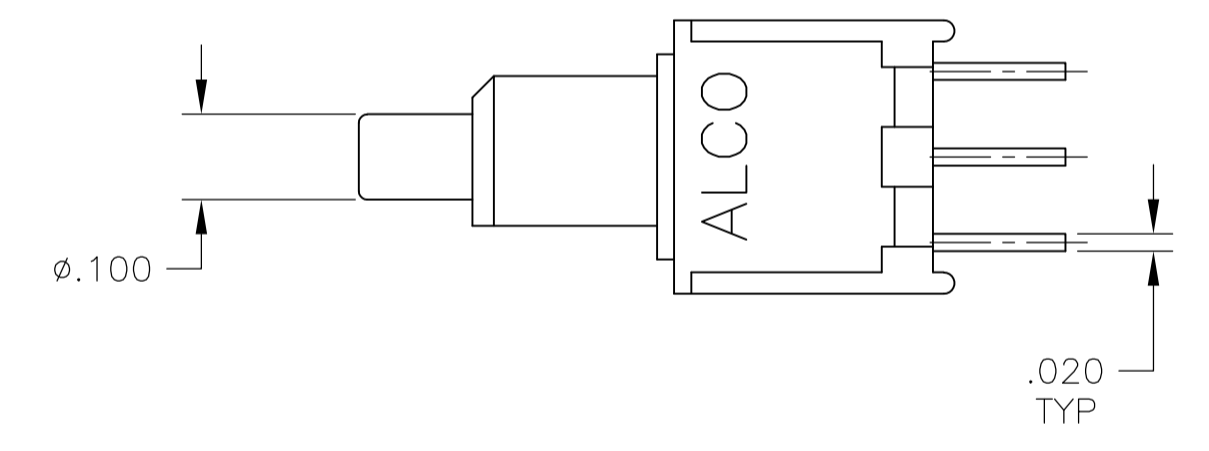
THIS DRAWING IS A CONTROLLED DOCUMENT.		DIN	M. BINNER	20JUL05	TE Connectivity
DIMENSIONS: INCHES		CHK	M. ZITTO	21JUL05	
TOLERANCES UNLESS OTHERWISE SPECIFIED:		APP'D	M. ZITTO	21JUL05	NAME
0. PLC	± .010	PRODUCT SPEC		PUSHBUTTON SWITCH, TPB SERIES	
1. PLC	± .010	APPLICATION SPEC		---	
2. PLC	± .010	SIZE	A1	CAGE CODE	1825097
3. PLC	± .010	WEIGHT	---	SCALE	4:1
4. PLC	± .010	CUSTOMER DRAWING		SHEET	2 OF 6
ANGLES	± .010	RESTRICTED TO		REV	A2
FINISH	---				

LOC		DIST		REVISIONS			
P	LTR	DESCRIPTION	DATE	DN	APVD		
-	-	SEE SHEET 1	-	-	-	-	-



PCB HOLE LAYOUT

TPB11CGRA & TPB11FGRA
TPBF11CGRA & TPBF11FGRA

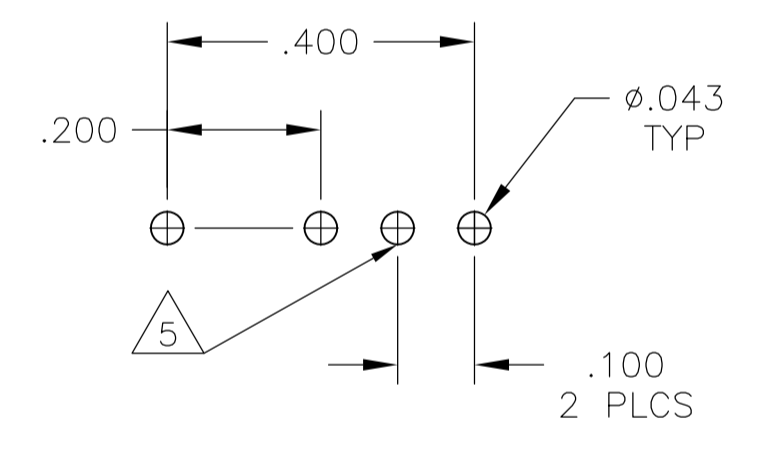
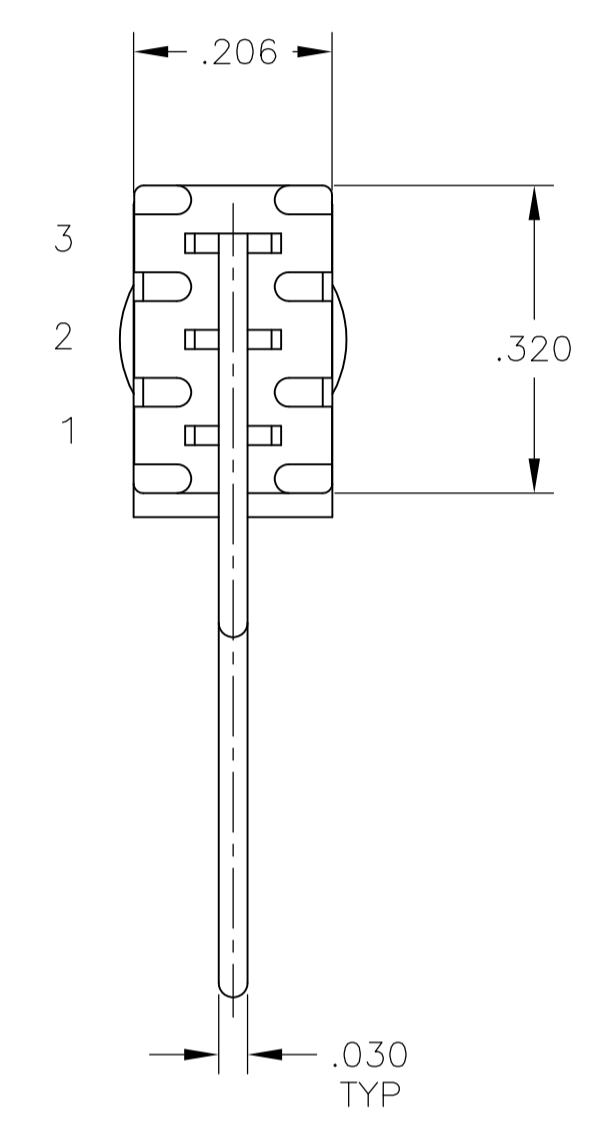
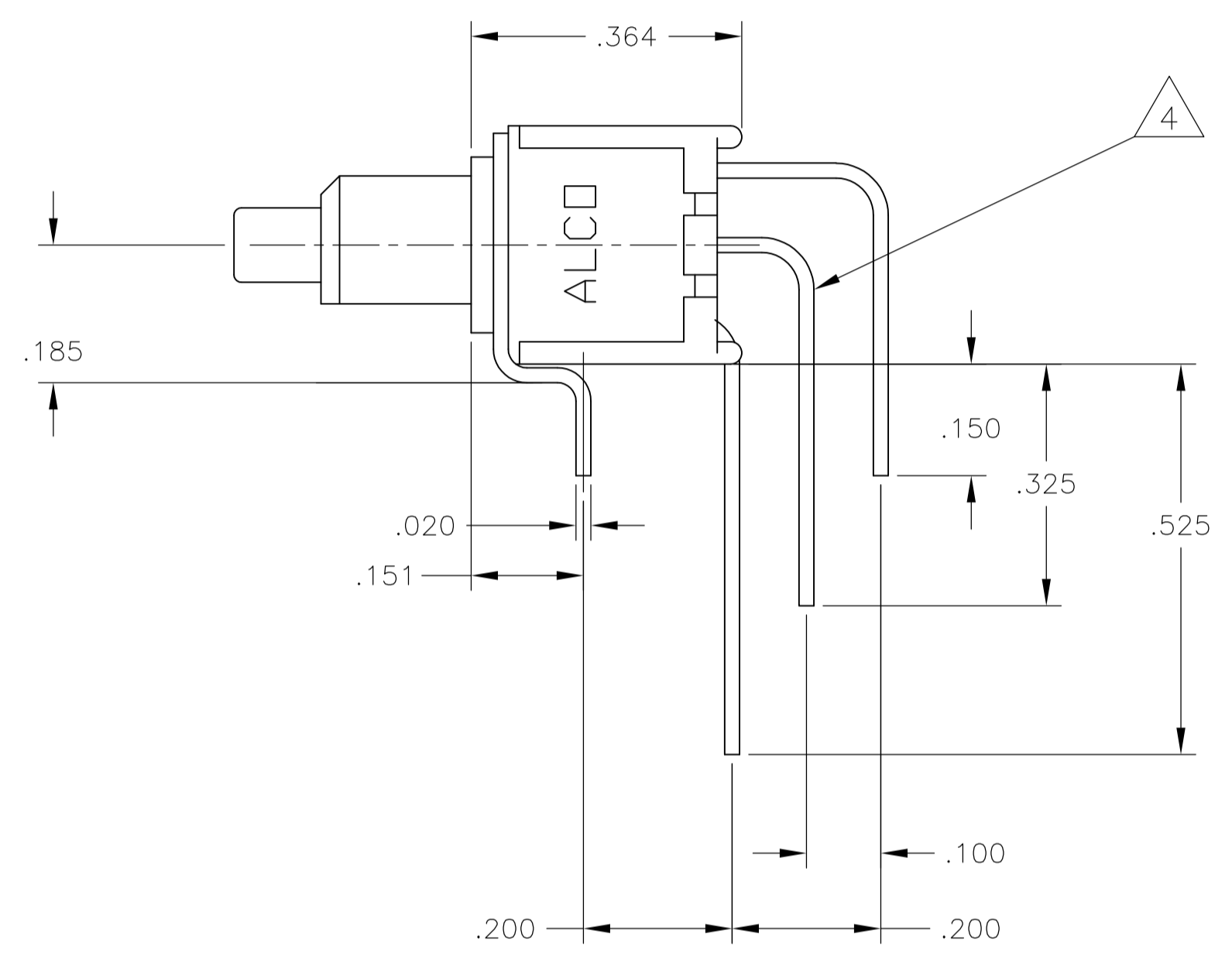
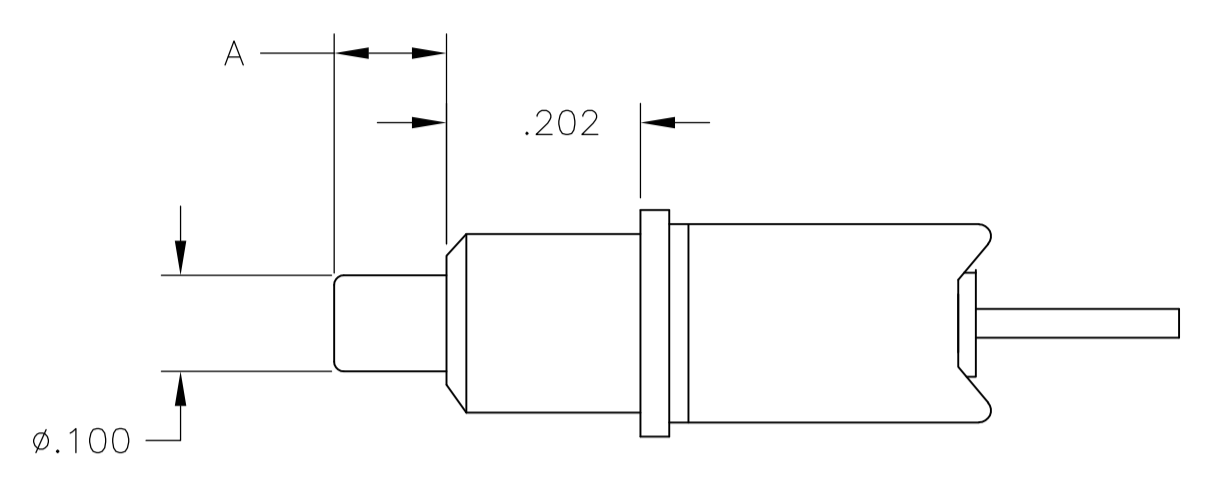
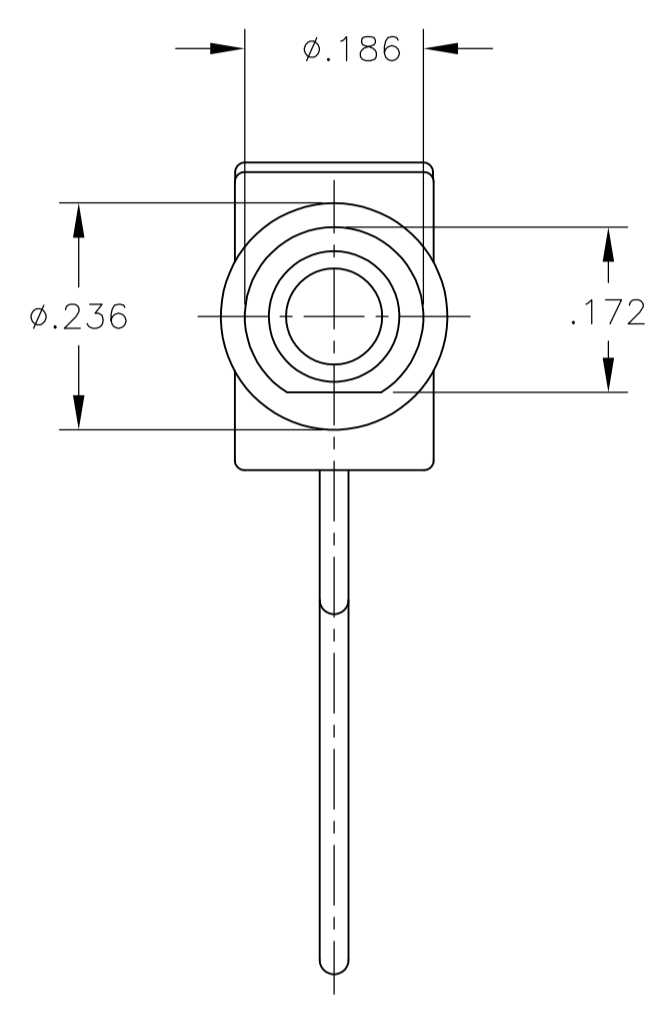


PCB HOLE LAYOUT

TPB21MGRA & TPB21RGRA

THIS DRAWING IS A CONTROLLED DOCUMENT.		DIN	M. BINNER	20JUL05	TE Connectivity
DIMENSIONS: INCHES		CHK	M. ZITTO	21JUL05	
TOLERANCES UNLESS OTHERWISE SPECIFIED:		APP'D	M. ZITTO	21JUL05	NAME
0. PLC	± .010	PRODUCT SPEC			PUSHBUTTON SWITCH, TPB SERIES
1. PLC	± .010	APPLICATION SPEC			
2. PLC	± .010				
3. PLC	± .010				
4. PLC	± .010				
ANGLES	± .010				
MATERIAL		WEIGHT			RESTRICTED TO
CUSTOMER DRAWING		SCALE	4:1	SHEET	3 OF 6
		DRAWING NO.	A1 00779	REV	A2
		SIZE	C=1825097		

LOC		DIST		REVISIONS			
P	LYR	DESCRIPTION	DATE	DNW	APVD		
-	-	SEE SHEET 1	-	-	-	-	-

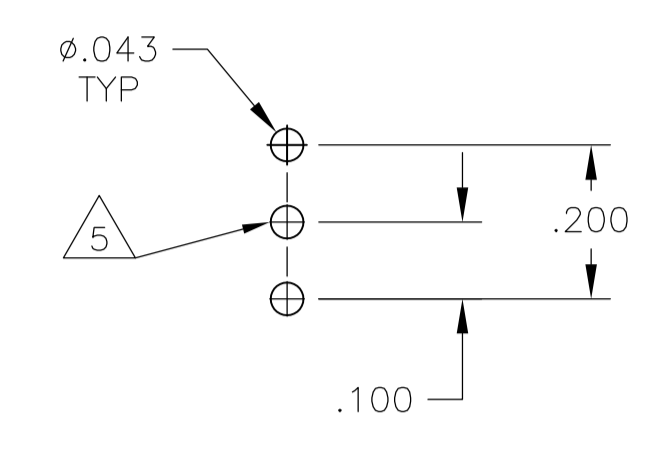


PCB HOLE LAYOUT

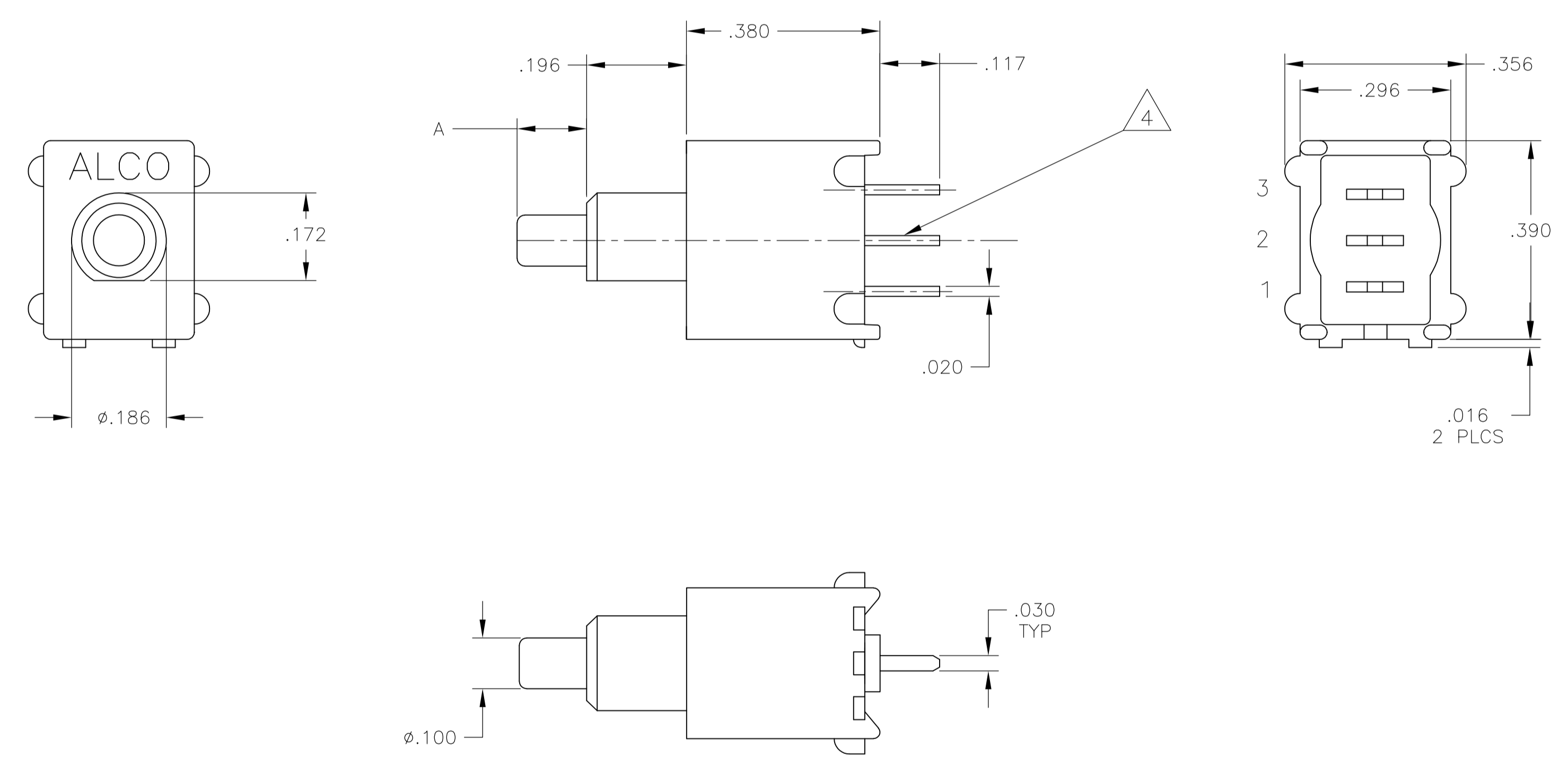
TPB11CVRA & TPB11FGVRA

THIS DRAWING IS A CONTROLLED DOCUMENT.		DW	M. BINNER	20JUL05	TE Connectivity
DIMENSIONS: INCHES		CHK	M. ZITTO	21JUL05	
TOLERANCES UNLESS OTHERWISE SPECIFIED:		APP'D	M. ZITTO	21JUL05	NAME
0. PLC	± -	PRODUCT SPEC		PUSHBUTTON SWITCH, TPB SERIES	
1. PLC	± -	APPLICATION SPEC		-	
2. PLC	± -	SIZE		A1	
3. PLC	± .010	CAGE CODE		00779	
4. PLC	± -	DRAWING NO		1825097	
ANGLES	± -	WEIGHT		-	
MATERIAL		CUSTOMER DRAWING		SCALE	4:1
FINISH		SHEET		4	OF 6
		REV		A2	

LOC	DIST	REVISIONS			
AD	-	REV	DATE	BY	APPV
-	-	1	SEE SHEET 1	-	-

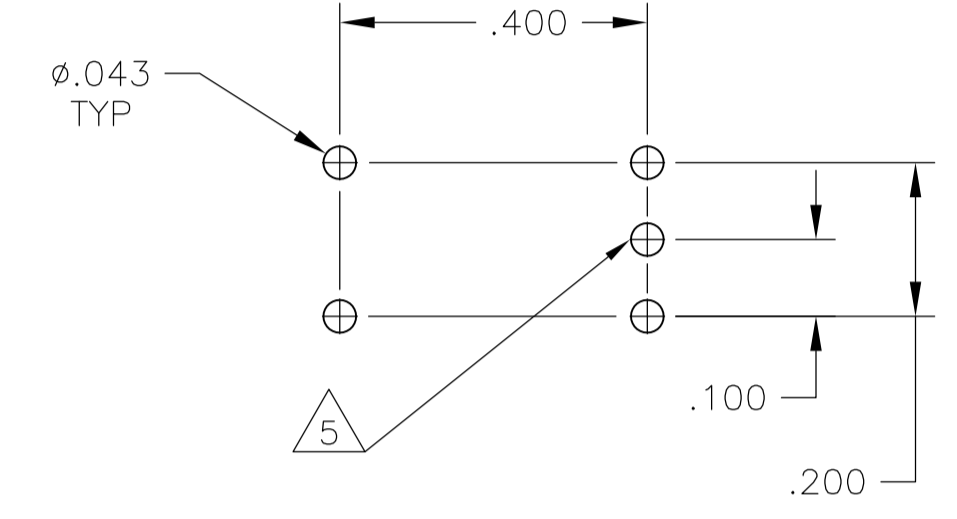
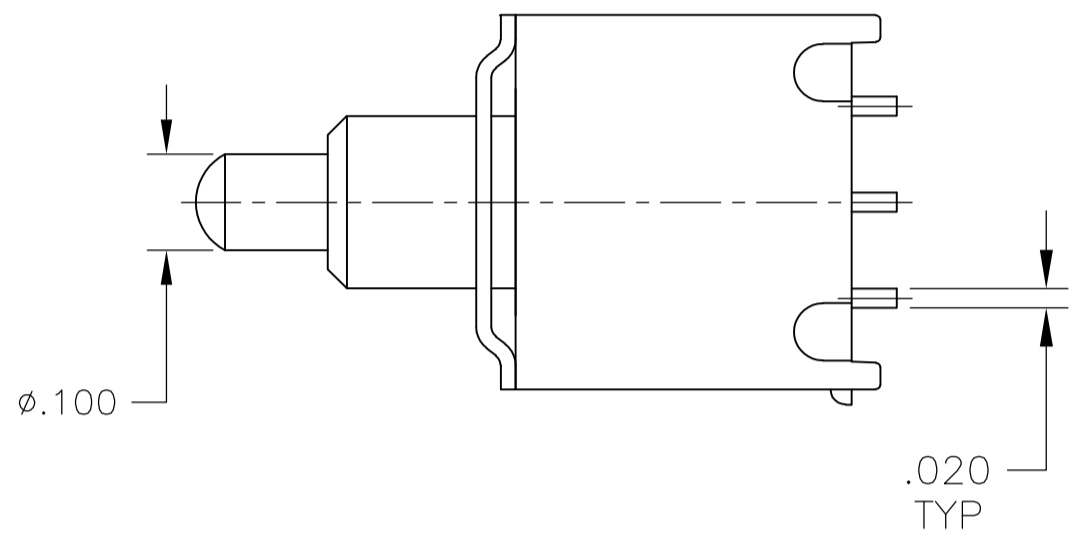


PCB HOLE LAYOUT

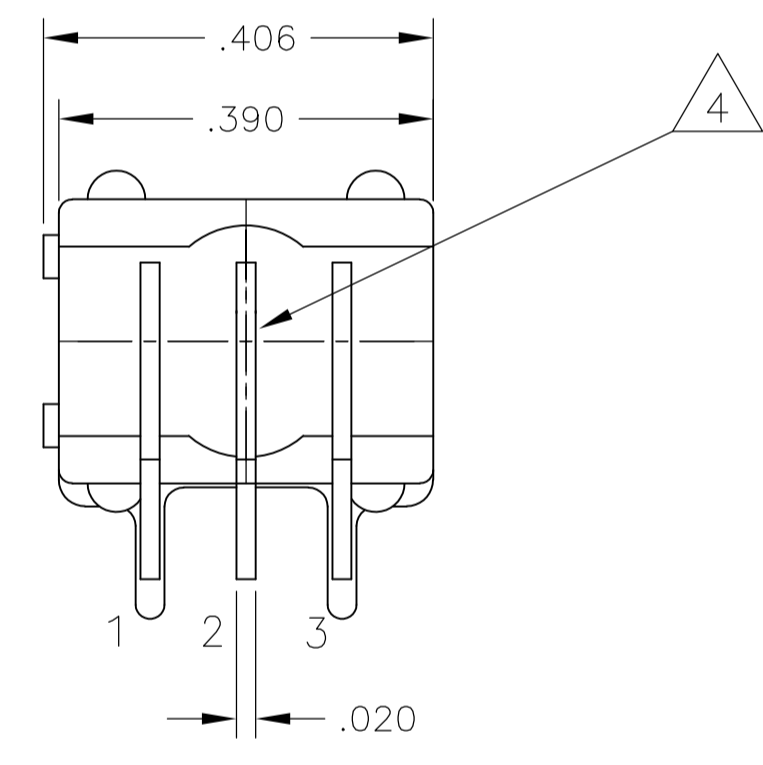
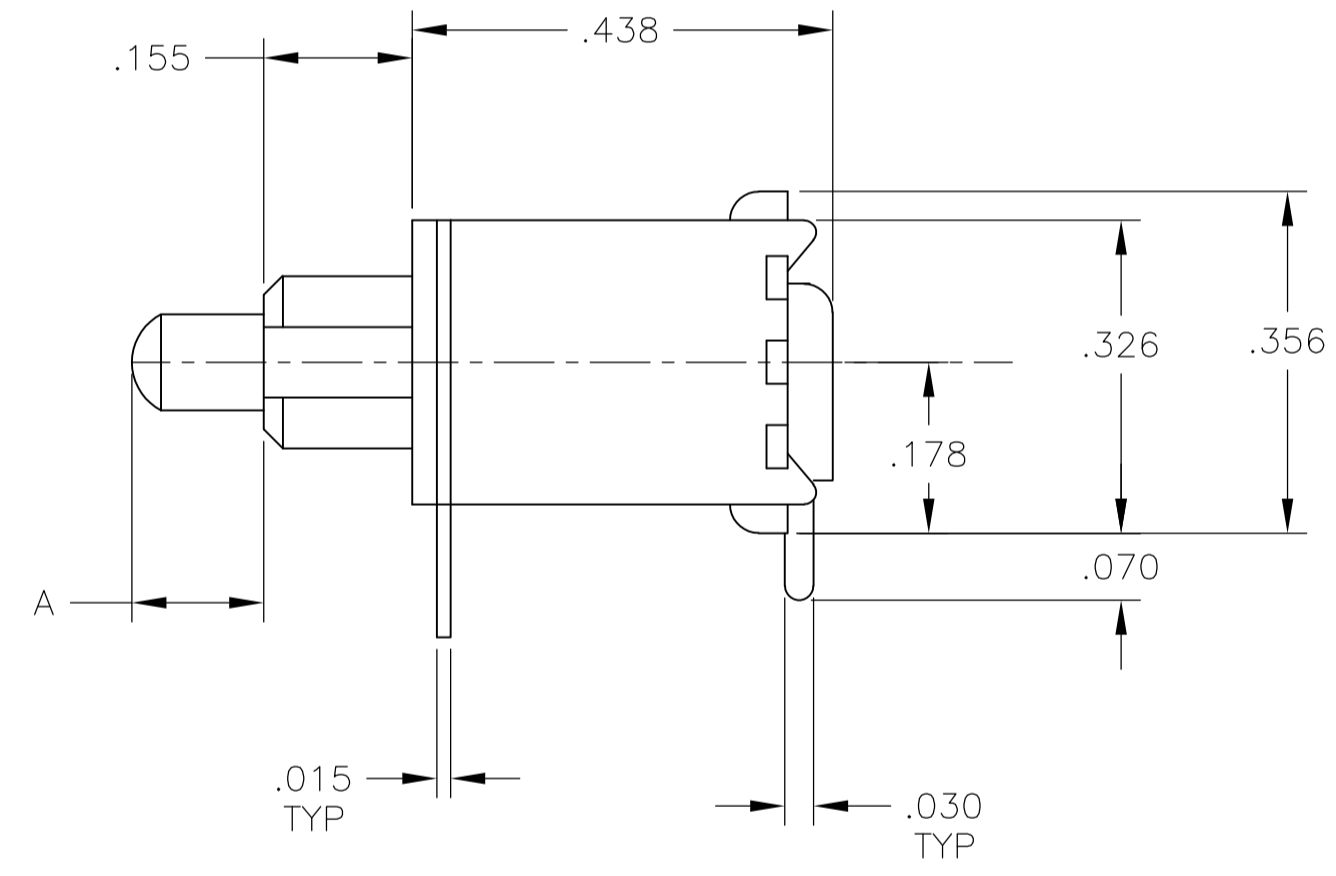
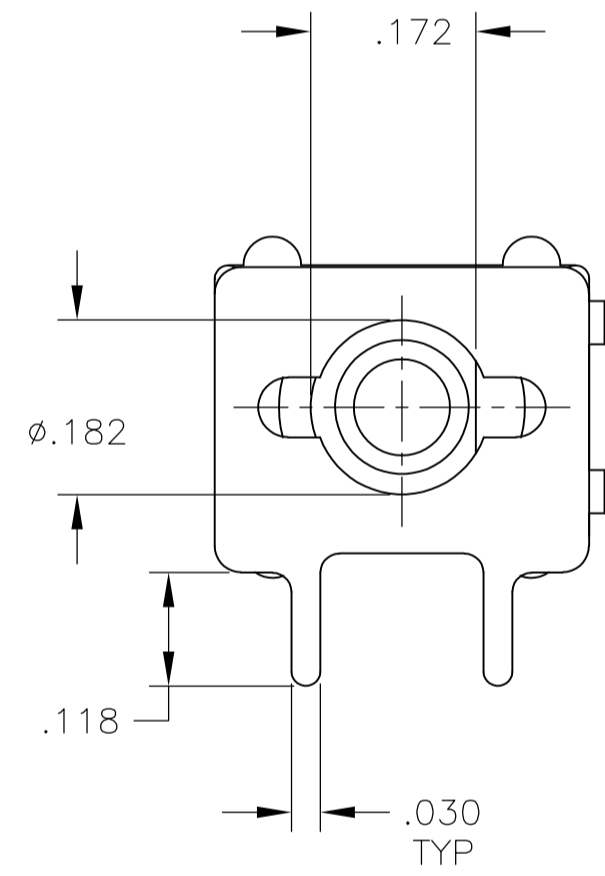


TPB11CGPCES & TPB11FGPCES
 TPBF11CGPCES & TPBF11FGPCES

THIS DRAWING IS A CONTROLLED DOCUMENT.		DWN M. BINNER 20JUL05	TE Connectivity	
		CHK M. ZITTO 21JUL05		
DIMENSIONS: INCHES		TOLERANCES UNLESS OTHERWISE SPECIFIED:		NAME PUSHBUTTON SWITCH, TPB SERIES
		0. PLC ± -	APVD M. ZITTO 21JUL05	PRODUCT SPEC
		1. PLC ± -	NAME	-
		2. PLC ± -	APPLICATION SPEC	-
		3. PLC ± .010	SIZE	A1
MATERIAL		4. PLC ± -	WEIGHT	00779
FINISH		ANGLES ± -	RESTRICTED TO	1825097
			CUSTOMER DRAWING	SCALE 4:1 SHEET 5 OF 6 REV A2



PCB HOLE LAYOUT



TPB11CGRAES & TPB11FGRAES
TPBF11CGRAES & TPBF11FGRAES

THIS DRAWING IS A CONTROLLED DOCUMENT.		DIN	M. BINNER	20JUL05	TE Connectivity
DIMENSIONS: INCHES		CHK	M. ZITTO	21JUL05	
TOLERANCES UNLESS OTHERWISE SPECIFIED:		APP'D	M. ZITTO	21JUL05	NAME
0. PLC	± -	PRODUCT SPEC	PUSHBUTTON SWITCH, TPB SERIES		
1. PLC	± -	APPLICATION SPEC	-		
2. PLC	± -	SIZE	A1	CAGE CODE	DRAWING NO.
3. PLC	± .010	WEIGHT	-	1825097	RESTRICTED TO
4. PLC	± -	CUSTOMER DRAWING	SCALE 4:1 SHEET 6 OF 6 REV A2		
ANGLES	± -				